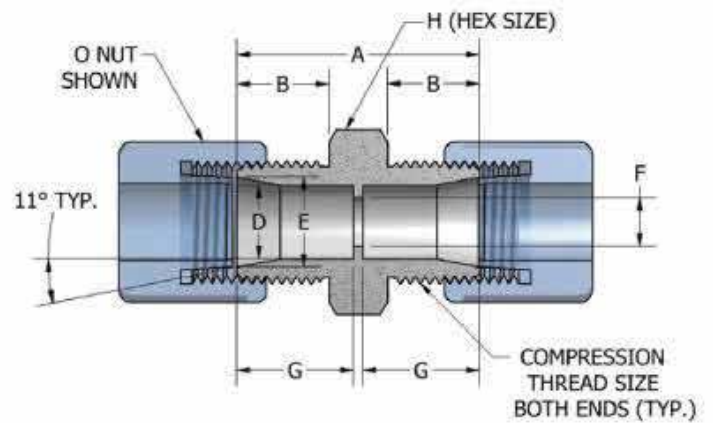




Diagram shown with Nut Style, O, Standard Ferrule Nut



UNION CONNECTORS

JACO Part No.	Tube O.D.	Comp. Thd.	A	B	D	E	F	G	H
15 - 4	1/4	7/16-20	±1/64	±1/64	+005 +010		±010	±1/64	±1/64
15 - 5	5/16	1/2-20	1-1/32	25/64	.312	.380-.385	.232	31/64	11/16
15 - 6	3/8	5/8-20	1-15/64	15/32	.375	.460-.465	.250	19/32	13/16
15 - 8	1/2	3/4-20	1-7/16	9/16	.500	.590-.595	.375	11/16	15/16
15 - 10	5/8	7/8-20	1-1/2	19/32	.625	.715-.720	.500	45/64	1-1/16
15 - 12	3/4	1-1/16-20	1-3/4	43/64	.750	.860-.865	.625	13/16	1-5/16

Conf.
Tube
MIL.
Nut
MATERIAL
JT