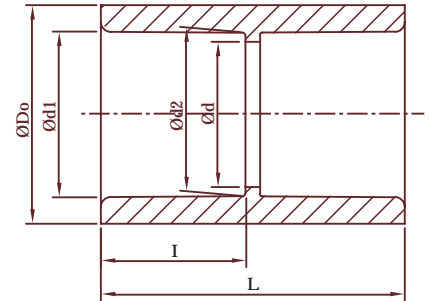


SCH 80 CPVC Coupling直接頭 (Slip × Slip)

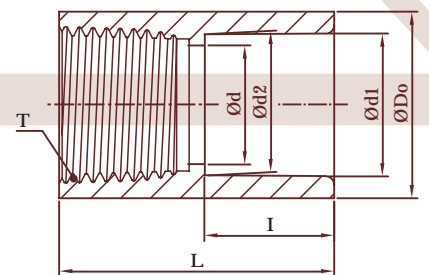
Size	Outside Dia	Socket Type			Structure Diameter	
	D0	d1	d2	I	d	L
1/2"	30.5	21.54	21.23	22.22	16.5	52.0
3/4"	37.6	26.87	26.57	25.40	22.0	60.0
1"	47.0	33.65	33.27	28.58	28.0	65.0
1-1/4"	55.5	42.42	42.04	31.75	35.0	75.0
1-1/2"	60.9	48.56	48.11	34.93	42.5	79.5
2"	73.4	60.63	60.17	38.10	54.0	88.0
2-1/2"	89.0	73.38	72.85	44.45	65.0	100.0
3"	106.0	89.31	88.70	47.63	80.0	108.0
4"	133.0	114.76	114.07	57.15	100.0	126.0
5"	163.0	141.81	141.05	66.68	134.5	160.0
6"	191.0	168.83	168.00	76.20	158.0	169.0
8"	246.0	219.84	218.69	101.60	200.0	220.0
10"	307.0	273.81	272.67	127.00	259.0	283.0
12"	364.0	324.61	323.47	152.40	308.0	336.5
14"	396.5	356.49	355.22	205.00	346.0	436.5
16"	454.0	407.54	405.89	230.00	396.0	486.5



備註：假如有註記“*”，則表示該項，沒有符合 ATSM 標準。（單位：mm）

SCH 80 CPVC Coupling直龍頭 (Slip × NPT)

Size	Outside Dia	Socket Type			Structure Diameter		
	D0	d1	d2	I	d	L	NPT (thd./in)
1/2"	30.5	21.54	21.23	22.22	16.50	52.0	14.0
3/4"	37.0	26.87	26.57	25.40	24.22	60.0	14.0
1"	47.0	33.65	33.27	28.58	28.00	65.0	11.5
1-1/4"	55.5	42.42	42.04	31.75	35.00	75.0	11.5
1-1/2"	63.0	48.56	48.11	34.93	42.50	79.5	11.5
2"	75.0	60.63	60.17	38.10	54.00	88.0	11.5



(單位：mm)

SCH 80 CPVC Coupling 直接頭 (NPT × NPT)

Size	Outside Dia	Structure Diameter		
	D0	d	L	NPT(thd./in)
1/2"	30.5	16.5	52.0	14.0
3/4"	37.0	22.0	60.0	14.0
1"	47.0	28.0	65.0	11.5
1-1/4"	55.5	35.0	75.0	11.5
1-1/2"	63.0	42.5	79.5	11.5
2"	75.0	54.0	88.0	11.5

(單位：mm)

