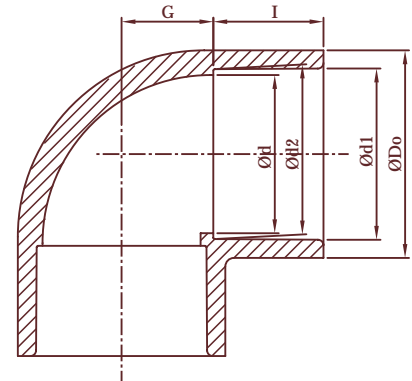


SCH 80 CPVC Fittings

SCH 80 CPVC 90° Elbow 彎頭 (Slip × Slip)

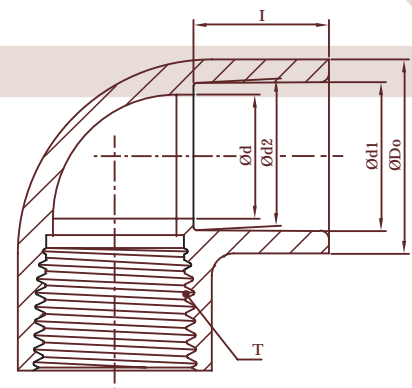
Size	Outside Dia	Socket Type			Structure Diameter	
	D0	d1	d2	I	d	G
1/2"	31.5	21.54	21.23	22.22	16.5	12.8
3/4"	38.0	26.87	26.57	25.40	22.0	15.3
1"	46.0	33.65	33.27	28.58	28.0	18.0
1-1/4"	55.0	42.42	42.04	31.75	35.0	23.0
1-1/2"	60.0	48.56	48.11	34.93	43.0	26.0
2"	75.0	60.63	60.17	38.10	54.0	32.0
2-1/2"	90.0	73.38	72.85	44.45	69.0	38.0
3"	107.0	89.31	88.70	47.63	84.0	48.0
4"	133.0	114.76	114.07	57.15	105.0	59.0
5"	163.5	141.81	141.05	66.68	136.0	80.0
6"	191.0	168.83	168.00	76.20	150.0	89.0
8"	246.0	219.84	218.69	101.60	200.0	115.0
10"	306.5	273.81	272.67	127.00	265.0	150.0
12"	364.0	324.61	323.47	152.40	315.0	180.0
14"	396.5	356.49	355.22	*180.00	346.0	248.0



備註：假如有註記“*”，則表示該項，沒有符合 ATSM 標準。(單位: mm)

SCH 80 CPVC 90° Elbow 龍口 (Slip × NPT)

Size	Outside Dia	Socket Type			Structure Diameter	
	D0	d1	d2	I	d	NPT (thd./in)
1/2"	30.5	21.54	21.23	22.22	16.0	14.0
3/4"	38.0	26.87	26.57	25.40	22.0	14.0
1"	46.0	33.65	33.27	28.58	28.0	11.5
1-1/4"	55.0	42.42	42.04	31.75	35.0	11.5
1-1/2"	60.0	48.56	48.11	34.93	43.0	11.5
2"	75.0	60.63	60.17	38.10	54.0	11.5



(單位: mm)

SCH 80 CPVC 90° Elbow 彎頭 (NPT×NPT)

Size	Outside Dia	Structure Diameter	
	D0	d	NPT(thd./in)
1/2"	30.5	16.0	14.0
3/4"	38.0	22.0	14.0
1"	46.0	28.0	11.5
1-1/4"	55.0	35.0	11.5
1-1/2"	60.0	43.0	11.5
2"	75.0	54.0	11.5

(單位 :mm)

