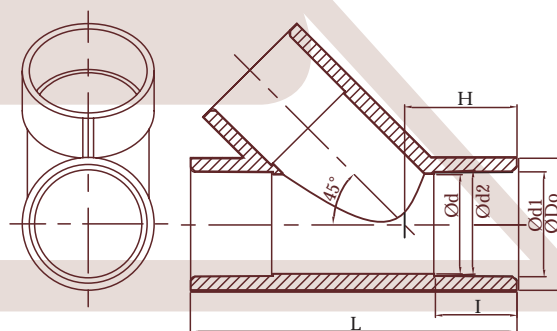


SCH 80 CPVC Y-Tee Y三通 (45°, Slip×Slip×Slip)

Size	Outside Dia	Socket Type			Structure Diameter		
	D0	d1	d2	I	d	L	H
1/2"	30.5	21.54	21.23	22.22	19.0	90	34
3/4"	36.0	26.87	26.57	25.40	24.5	105	40
1"	44.0	33.65	33.27	28.58	31.0	117	42
1-1/4"	61.0	42.42	42.04	31.75	40.0	150	52
1-1/2"	61.0	48.56	48.11	34.93	46.0	150	52
2"	76.5	60.63	60.17	38.10	58.5	181	60
3"	106.0	89.31	88.70	47.63	74.0	222	68
4"	132.0	114.76	114.07	57.15	100.0	277	83
6"	191.0	168.83	168.00	76.20	150.0	393	114
8"	246.0	219.84	218.69	101.60	200.0	570	177



(單位 : mm)