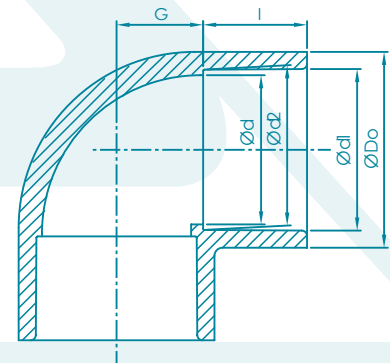



**SCH 40 UPVC 90° Elbow 彎頭(Slip×Slip)**

Size	Outside Dia	Socket Type			Structure Diameter	
	D0	d1	d2	I	d	G
1/2"	27.5	21.54	21.23	17.8	18.0	12.7
3/4"	33.6	26.87	26.57	18.7	22.5	14.8
1"	41.7	33.65	33.27	22.7	29.0	18.3
1-1/4"	50.5	42.42	42.04	24.3	38.0	22.7
1-1/2"	56.8	48.56	48.11	28.3	43.5	25.7
2"	69.0	60.63	60.17	29.9	55.0	32.0
2-1/2"	84.2	73.38	72.85	45.0	67.5	39.0
3"	100.8	89.31	88.70	48.1	83.5	46.5
4"	127.3	114.76	114.07	51.3	108.5	59.7
16"	434.5	407.58	405.87	*205.0	376.0	240.0



備註：假如有註記“\*”，則表示該項，沒有符合ATSM標準。

(單位：mm)